

# MuntsOS Embedded Linux

## *Application Note #8: C# LED Flash Example*

**Revision 16  
18 March 2025**

**by Philip Munts  
dba Munts Technologies  
<http://tech.munts.com>**

## Introduction

This application note describes how to create, build, and run a C# program to flash an LED on a target computer running **MuntsOS Embedded Linux**, using the **.Net** SDK (Software Development Kit).

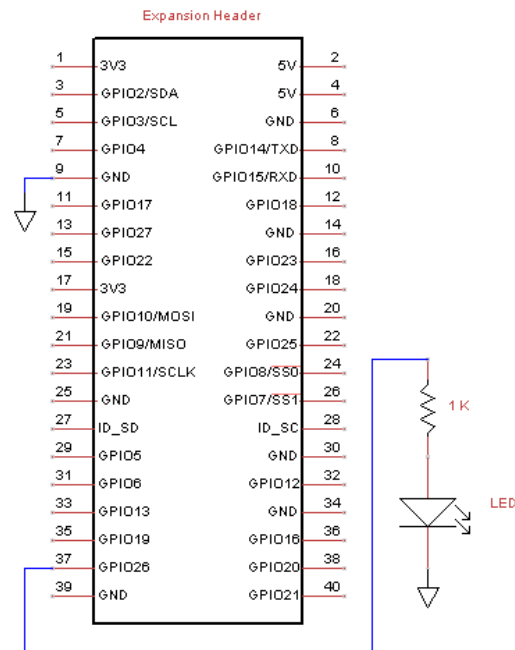
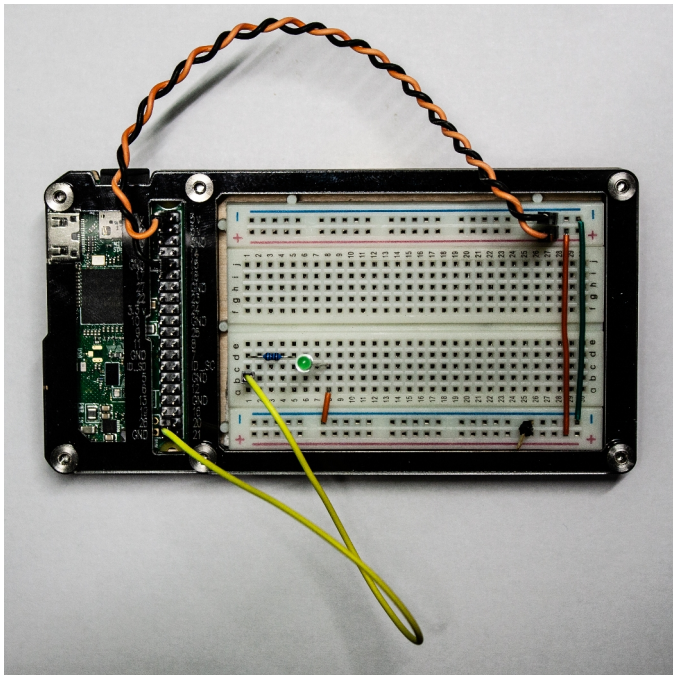
## Prerequisites

The **.Net** SDK must be installed on a Linux, MacOS, or Windows host system.

**MuntsOS Embedded Linux** must be installed on the target computer ([AppNote #3](#)).

The **.Net** runtime extension `dotnet-muntsos-aarch64.deb` must be installed on the target computer, by running the `sysconfig` command on the target computer.

## Test Platform Hardware



The test platform for the purposes of this application note consists of a [Raspberry Pi Zero 2 Wireless](#) mounted in a [Zebra Zero Plus Breadboard](#) case. The orange and black jumper wires connect +3.3V and GND on the Raspberry Pi expansion header to the breadboard power rails. The yellow jumper connects GPIO26 to a 1K ohm current limiting resistor and an LED.

## Test Program Source Code

Available for download at: <https://repo.munts.com/muntsos/doc/blinky/blinky.cs>

```
using static System.Console;

WriteLine("\nMuntsOS C# LED Test\n");

// Configure a GPIO output to drive an LED

IO.Objects.SimpleIO.Device.Designator desg_LED =
    new IO.Objects.SimpleIO.Device.Designator(0, 26);

IO.Interfaces.GPIO.Pin LED =
    new IO.Objects.SimpleIO.GPIO.Pin(desg_LED,
        IO.Interfaces.GPIO.Direction.Output);

// Flash the LED forever (until killed)

WriteLine("Press CONTROL-C to exit.\n");

for (;;)
{
    LED.state = !LED.state;
    System.Threading.Thread.Sleep(500);
}
```

## **Exercise**

This example exercise demonstrates how to create a C# program project, compile it with the **.Net** SDK, and run it on the test platform hardware.

*Step 1:* Install **.Net** project templates for the **Linux Simple I/O Library**, from <https://www.nuget.org> :

```
dotnet new install libsimpleio-templates
```

*Step 2:* Create the **blinky** project:

```
dotnet new csharp_console_libsimpleio -o blinky
cd blinky
wget -O Program.cs https://repo.munts.com/muntsos/doc/.blinky/blinky.cs
```

*Step 3:* Build the **blinky** project:

```
dotnet publish
```

*Step 4:* Copy the **blinky** program files to the target platform:

```
scp bin/Release/net9.0/publish/* root@snoopy:.
```

*Step 5:* Run the test program on the test platform:

```
ssh root@snoopy
dotnet blinky.dll
```

The LED should begin flashing once a second, until you press **CONTROL-C**.